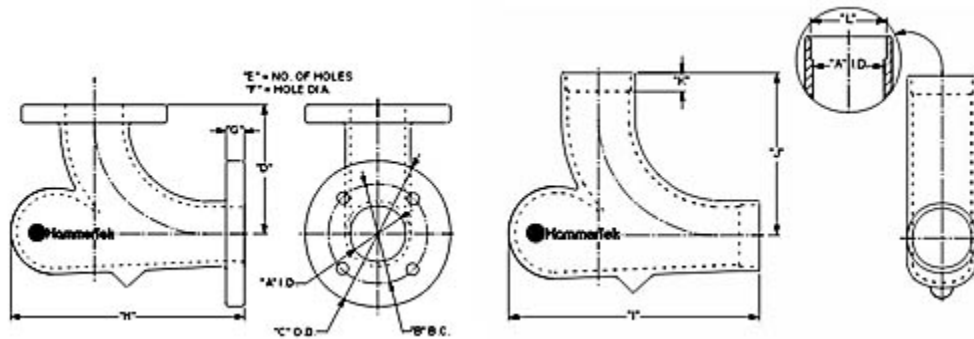




CHADA SALES, INC.

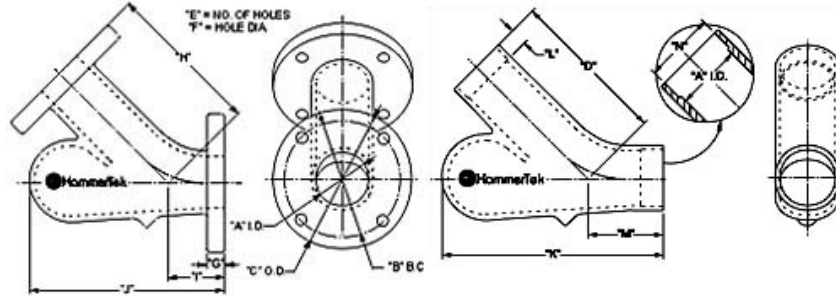
815 E 12th Street • PO Box 3367 • Lawrence, Kansas 66046
 Ph: 785-842-1199 • Toll Free: 800-255-6213 • Fx: 785-842-6404
 Website: www.chadasales.com • Email: chada@chadasales.com

HAMMERTEK SMART ELBOW DIMENSIONS TUBE SIZE



Smart Elbow™ 90° Tube Dimensions

Tube Size	1.5"	1.75"	2"	2.25"	2.5"	3"	3.5"	4"	4.5"	5"	6"	8"
A	1.25	1.50	1.75	2.00	2.25	2.75	3.26	3.75	4.25	4.75	5.75	7.75
B	0.00	0.00	4.75	0.00	5.50	6.00	6.00	7.00	7.50	8.50	9.50	11.75
C	0.00	0.00	6.00	0.00	7.00	7.50	7.50	8.50	9.00	10.00	11.00	13.50
D	0.00	0.00	6.50	0.00	7.00	7.75	7.50	8.50	8.94	10.25	11.50	14.25
E	0.00	0.00	4.00	0.00	4.00	4.00	4.00	8.00	8.00	8.00	8.00	8.00
F	0.00	0.00	0.75	0.00	0.75	0.75	0.75	0.75	0.75	0.88	0.88	0.88
G	0.00	0.00	0.63	0.00	0.69	0.75	0.75	0.94	1.00	0.94	1.00	1.13
H	0.00	0.00	9.00	0.00	10.13	11.13	12.25	13.91	14.88	18.06	21.13	27.63
I	9.50	9.50	11.00	11.68	12.13	13.13	15.13	18.22	18.00	22.88	26.63	33.63
J	7.50	7.50	8.50	8.06	9.00	9.75	10.50	12.81	12.06	15.06	17.00	20.25
K	2.50	2.50	2.63	2.63	2.69	2.75	3.00	4.00	4.25	4.50	5.50	7.00
L	1.50	1.75	2.00	2.25	2.50	3.00	3.50	4.00	4.50	5.00	6.00	8.00



Smart Elbow™ 45° Tube Dimensions

Tube Size	2"	2.5"	3"	3.5"	4"	4.5"	5"	6"	8"
A	1.75	2.25	2.75	3.25	3.75	4.25	4.75	5.75	7.75
B	4.75	5.50	6.00	6.00	7.00	7.50	8.50	9.50	11.75
C	6.00	7.00	7.50	7.50	8.50	9.00	10.00	11.00	13.50
D	9.44	10.13	11.38	12.50	15.69	16.38	18.81	22.25	26.00
E	4.00	4.00	4.00	4.00	8.00	8.00	8.00	8.00	8.00
F	0.75	0.75	0.75	0.75	0.75	0.75	0.88	0.88	0.88
G	0.63	0.69	0.75	0.75	0.94	1.00	0.94	1.00	1.13
H	7.44	8.13	9.38	9.56	11.38	13.25	14.00	16.75	20.00
I	3.06	3.25	3.63	4.06	3.88	4.75	4.81	5.31	7.00
J	9.00	10.13	11.19	12.62	13.91	15.88	18.50	21.50	28.38
K	11.00	12.13	13.19	15.56	18.22	19.00	23.31	27.00	34.38
L	2.63	2.69	2.75	3.00	4.00	4.25	4.50	5.50	7.00
M	5.06	5.25	5.63	7.00	8.19	7.88	9.63	10.81	14.00
N	2.00	2.50	3.00	3.50	4.00	4.50	5.00	6.00	8.00