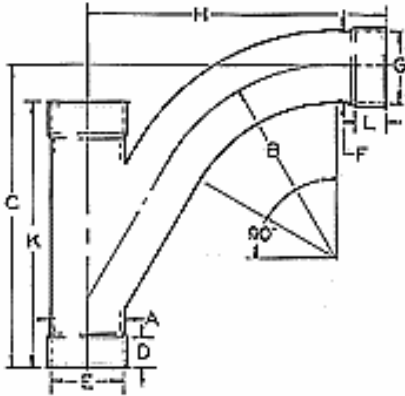




# CHADA SALES, INC.

815 E 12<sup>th</sup> Street • PO Box 3367 • Lawrence, Kansas 66046  
 Ph: 785-842-1199 • Toll Free: 800-255-6213 • Fx: 785-842-6404  
 Website: www.chadasales.com • Email: chada@chadasales.com

## STANDARD 90° TY'S



Straight or expanded ends available up to 6" size.  
 Straight ends only - 8" and up.  
 Straight and expanded end combinations available.

2 1/8"OD to 4"OD - 16ga material  
 5"OD to 8"OD - 14ga material  
 10"OD to 14"OD - 12ga material

D 1-1/4" thru 4"OD, 1-1/2" for 5"OD & 6"OD  
 E Inside Diameter (I.D.) = A  
 G Inside Diameter (I.D.) = F  
 L 1-1/4" thru 4"OD, 1-1/2" for 5"OD & 6"OD

When ordering, please specify material: Aluminum, Carbon Steel, Galvanized or Stainless Steel.  
 All dimensions are in inches.

Part No.	Size	A - O.D.	B	C	F - O.D.	H	K
MTY-2121	2 1/8	2 1/8	5	9 3/32	2 1/8	4 11/16	9 1/2
MTY-2521	2 1/2 x 2 1/8	2 1/2	5	9 9/32	2 1/8	4 7/8	10
MTY-2525	2 1/2	2 1/2	6	10 5/32	2 1/2	5 3/16	10
MTY-3021	3 x 2 1/8	3	5	9 17/32	2 1/8	5 1/8	10 1/2
MTY-3025	3 x 2 1/2	3	6	10 13/32	2 1/2	5 7/16	10 1/2
MTY-3030	3	3	7 1/2	11 19/32	3	5 29/32	10 1/2
MTY-3521	3 1/2 x 2 1/8	3 1/2	5	9 25/32	2 1/8	5 3/8	11
MTY-3525	3 1/2 x 2 1/2	3 1/2	6	10 21/32	2 1/2	5 11/16	11
MTY-3530	3 1/2 x 3	3 1/2	7 1/2	11 27/32	3	6 5/32	13
MTY-3535	3 1/2	3 1/2	8 3/4	12 31/32	3 1/2	6 9/16	13
MTY-4021	4 x 2 1/8	4	5	10 1/32	2 1/8	5 5/8	12
MTY-4025	4 x 2 1/2	4	6	10 29/32	2 1/2	5 15/16	12
MTY-4030	4 x 3	4	7 1/2	12 3/32	3	6 13/32	12
MTY-4035	4 x 3 1/2	4	8 3/4	13 7/32	3 1/2	6 13/16	14
MTY-4040	4	4	10	14 11/32	4	7 1/4	14
MTY-5021	5 x 2 1/8	5	5	10 17/32	2 1/8	6 1/8	13
MTY-5025	5 x 2 1/2	5	6	11 13/32	2 1/2	6 7/16	13

Part No.	Size	A - O.D.	B	C	F - O.D.	H	K
MTY-5030	5 x 3	5	7 1/2	12 19/32	3	6 29/32	15 1/2
MTY-5035	5 x 3 1/2	5	8 3/4	13 23/32	3 1/2	7 5/16	15 1/2
MTY-5040	5 x 4	5	10	14 27/32	4	7 3/4	15 1/2
MTY-5050	5	5	12 1/2	17 9/16	5	9	18 1/2
MTY-6021	6 x 2 1/8	6	5	11 1/32	2 1/8	6 5/8	15
MTY-6025	6 x 2 1/2	6	6	11 29/32	2 1/2	6 15/16	15
MTY-6030	6 x 3	6	7 1/2	13 3/32	3	7 13/32	15
MTY-6035	6 x 3 1/2	6	8 3/4	14 7/32	3 1/2	7 13/16	17
MTY-6040	6 x 4	6	10	15 11/32	4	8 1/4	17
MTY-6050	6 x 5	6	12 1/2	18 1/16	5	9 1/2	21
MTY-6060	6	6	15	20 25/32	6	10 25/32	21

MTY-8021	8 x 2 1/8	8	5	12 3/32	2 1/8	11 3/4	18
MTY-8025	8 x 2 1/2	8	6	13 1/4	2 1/2	12 25/32	18
MTY-8030	8 x 3	8	7 1/2	14 7/8	3	14 9/32	18
MTY-8035	8 x 3 1/2	8	8 3/4	16 3/8	3 1/2	15 19/32	21
MTY-8040	8 x 4	8	10	17 7/8	4	16 29/32	21
MTY-8050	8 x 5	8	12 1/2	20 7/8	5	20 1/8	24
MTY-8060	8 x 6	8	15	23 7/8	6	23 11/32	24
MTY-8080	8	8	20	29 7/8	8	29 17/32	29
MTY-9021	10 x 2 1/8	10	5	13 3/32	2 1/8	12 3/4	21
MTY-9025	10 x 2 1/2	10	6	14 1/4	2 1/2	13 25/32	21
MTY-9030	10 x 3	10	7 1/2	15 7/8	3	15 9/32	21
MTY-9035	10 x 3 1/2	10	8 3/4	17 3/8	3 1/2	16 17/32	24
MTY-9040	10 x 4	10	10	18 7/8	4	17 29/32	24
MTY-9050	10 x 5	10	12 1/2	21 7/8	5	21 1/8	24
MTY-9060	10 x 6	10	15	24 7/8	6	24 11/32	28
MTY-9080	10 x 8	10	20	30 7/8	8	30 17/32	32
MTY-9090	10	10	32	40 3/8	10	42 25/32	36
MTY-9221	12 x 2 1/8	12	5	14 3/32	2 1/8	13 3/4	24
MTY-9225	12 x 2 1/2	12	6	15 1/4	2 1/2	14 25/32	24
MTY-9230	12 x 3	12	7 1/2	16 7/8	3	16 9/32	24
MTY-9235	12 x 3 1/2	12	8 3/4	18 3/8	3 1/2	17 19/32	27
MTY-9240	12 x 4	12	10	19 7/8	4	18 29/32	27
MTY-9250	12 x 5	12	12 1/2	22 7/8	5	22 1/8	27
MTY-9260	12 x 6	12	15	25 7/8	6	25 11/32	31
MTY-9280	12 x 8***	12	20	31 7/8	8	31 17/32	35
MTY-9290	12 x 10***	12	32	41 3/8	10	43 25/32	39
MTY-9292	12 x 12***	12	36	46 7/8	12	49 1/8	43
MTY-9480	14 x 8	14	20	32 7/8	8	32 17/32	38
MTY-9490	14 x 10	14	32	42 3/8	10	44 25/32	42
MTY-9492	14 x 12***	14	36	47 7/8	12	50 1/8	46
MTY-9494	14***	14	36	51 3/8	14	50 3/4	52

\*\*\*Segmented