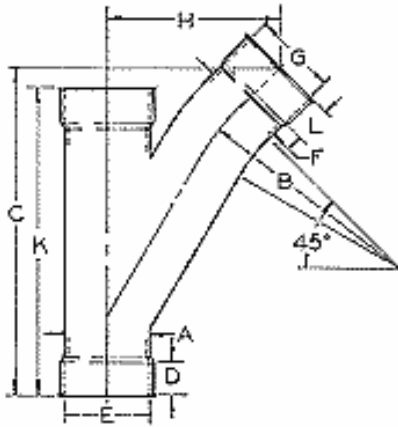




# CHADA SALES, INC.

815 E 12<sup>th</sup> Street • PO Box 3367 • Lawrence, Kansas 66046  
 Ph: 785-842-1199 • Toll Free: 800-255-6213 • Fx: 785-842-6404  
 Website: www.chadasales.com • Email: chada@chadasales.com

## STANDARD 45° YL'S



Straight or expanded ends available up to 6" size.  
 Straight ends only - 8" and up.  
 Straight and expanded end combinations available.

2 1/8"OD to 4"OD - 16ga material  
 5"OD to 8"OD - 14ga material  
 10"OD to 14"OD - 12ga material  
 (YL's in 11ga available upon request)

D 1-1/4" thru 4"OD, 1-1/2" for 5"OD & 6"OD  
 E Inside Diameter (I.D.) = A  
 G Inside Diameter (I.D.) = F  
 L 1-1/4" thru 4"OD, 1-1/2" for 5"OD & 6"OD

When ordering, please specify material: Aluminum, Carbon Steel, Galvanized or Stainless Steel.  
 All dimensions are in inches.

Part No.	Size	A - O.D.	B	C	F - O.D.	H	K
YL-2151	2 1/8	2 1/8	5	9 3/32	2 1/8	4 11/16	9 1/2
YL-2551	2 1/2 x 2 1/8	2 1/2	5	9 9/32	2 1/8	4 7/8	10
YL-2561	2 1/2	2 1/2	6	10 5/32	2 1/2	5 3/16	10
YL-3051	3 x 2 1/8	3	5	9 17/32	2 1/8	5 1/8	10 1/2
YL-3061	3 x 2 1/2	3	6	10 13/32	2 1/2	5 7/16	10 1/2
YL-3071	3	3	7 1/2	11 19/32	3	5 29/32	10 1/2
YL-3551	3 1/2 x 2 1/8	3 1/2	5	9 25/32	2 1/8	5 3/8	11
YL-3561	3 1/2 x 2 1/2	3 1/2	6	10 21/32	2 1/2	5 11/16	11
YL-3571	3 1/2 x 3	3 1/2	7 1/2	11 27/32	3	6 5/32	13
YL-3581	3 1/2	3 1/2	8 3/4	12 31/32	3 1/2	6 9/16	13
YL-4051	4 x 2 1/8	4	5	10 1/32	2 1/8	5 5/8	12
YL-4061	4 x 2 1/2	4	6	10 29/32	2 1/2	5 15/16	12
YL-4071	4 x 3	4	7 1/2	12 3/32	3	6 13/32	12
YL-4081	4 x 3 1/2	4	8 3/4	13 7/32	3 1/2	6 13/16	14
YL-4091	4	4	10	14 11/32	4	7 1/4	14
YL-5051	5 x 2 1/8	5	5	10 17/32	2 1/8	6 1/8	13
YL-5061	5 x 2 1/2	5	6	11 13/32	2 1/2	6 7/16	13

Part No.	Size	A - O.D.	B	C	F - O.D.	H	K
YL-5071	5 x 3	5	7 1/2	12 19/32	3	6 29/32	15 1/2
YL-5081	5 x 3 1/2	5	8 3/4	13 23/32	3 1/2	7 5/16	15 1/2
YL-5091	5 x 4	5	10	14 27/32	4	7 3/4	15 1/2
YL-5151	5	5	12 1/2	17 9/16	5	9	18 1/2
YL-6051	6 x 2 1/8	6	5	11 1/32	2 1/8	6 5/8	15
YL-6061	6 x 2 1/2	6	6	11 29/32	2 1/2	6 15/16	15
YL-6071	6 x 3	6	7 1/2	13 3/32	3	7 13/32	15
YL-6081	6 x 3 1/2	6	8 3/4	14 7/32	3 1/2	7 13/16	17
YL-6091	6 x 4	6	10	15 11/32	4	8 1/4	17
YL-6141	6 x 5	6	12 1/2	18 1/16	5	9 1/2	21
YL-6151	6	6	15	20 25/32	6	10 25/32	21
YL-8051	8 x 2 1/8	8	5	12 1/32	2 1/8	7 5/8	18
YL-8061	8 x 2 1/2	8	6	12 29/32	2 1/2	7 15/16	18
YL-8071	8 x 3	8	7 1/2	14 3/32	3	8 13/32	18
YL-8081	8 x 3 1/2	8	8 3/4	15 7/32	3 1/2	8 13/16	21
YL-8091	8 x 4	8	10	16 11/32	4	9 1/4	21
YL-8141	8 x 5	8	12 1/2	19 1/16	5	10 1/2	24
YL-8151	8 x 6	8	15	21 25/32	6	11 25/32	24
YL-8161	8	8	20	27	8	14 5/32	29
YL-10051	10 x 2 1/8	10	5	13 1/32	2 1/8	8 5/8	21
YL-10061	10 x 2 1/2	10	6	13 29/32	2 1/2	8 15/16	21
YL-10071	10 x 3	10	7 1/2	15 3/32	3	9 13/32	21
YL-10081	10 x 3 1/2	10	8 3/4	16 7/32	3 1/2	9 13/16	24
YL-10091	10 x 4	10	10	17 11/32	4	10 1/4	24
YL-10141	10 x 5	10	12 1/2	20 1/16	5	11 1/2	24
YL-10151	10 x 6	10	15	22 3/4	6	12 25/32	28
YL-10161	10 x 8	10	20	28	8	15 5/32	32
YL-10171	10	10	32	34 11/16	10	18 5/8	36
YL-12051	12 x 2 1/8	12	5	14 1/32	2 1/8	9 5/8	24
YL-12061	12 x 2 1/2	12	6	14 29/32	2 1/2	9 31/32	24
YL-12071	12 x 3	12	7 1/2	16 3/32	3	10 13/32	24
YL-12081	12 x 3 1/2	12	8 3/4	17 7/32	3 1/2	10 13/16	27
YL-12091	12 x 4	12	10	18 11/32	4	11 1/4	27
YL-12141	12 x 5	12	12 1/2	21 1/16	5	12 1/2	27
YL-12151	12 x 6	12	15	23 3/4	6	13 25/32	31
YL-12161	12 x 8	12	20	29	8	16 5/32	35
YL-12171	12 x 10	12	32	35 11/16	10	19 5/8	39
YL-12181	12***	12	36	40 3/4	12	21 27/32	43
YL-14161	14 x 8	14	20	30	8	17 5/32	38
YL-14171	14 x 10	14	32	36 11/32	10	20 5/8	42
YL-14181	14 x 12***	14	36	41 3/4	12	22 27/32	46
YL-14191	14***	14	36	45 15/16	14	24 13/32	52

\*\*\*Segmented