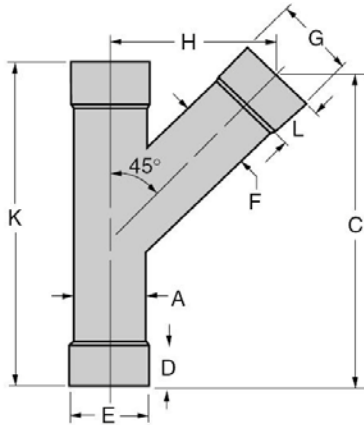




# CHADA SALES, INC.

815 E 12<sup>th</sup> Street • PO Box 3367 • Lawrence, Kansas 66046  
 Ph: 785-842-1199 • Toll Free: 800-255-6213 • Fx: 785-842-6404  
 Website: www.chadasales.com • Email: chada@chadasales.com

## STANDARD 45° LATERALS



Straight or expanded ends available up to 6" size.  
 Straight ends only - 8" and up.  
 Straight and expanded end combinations available.

2 1/8"OD to 4"OD - 16ga material  
 5"OD to 8"OD - 14ga material  
 10"OD to 14"OD - 12ga material

E Inside Diameter (I.D.) = A  
 G Inside Diameter (I.D.) = F

When ordering, please specify material: Aluminum, Carbon Steel, Galvanized or Stainless Steel.  
 All dimensions are in inches.

Part No.	Size	A - O.D.	C	D	E - I.D.	F - O.D.	G - I.D.	H	K	L
MSY-2121	2 1/8	2 1/8	9 3/32	1 1/4	2 1/8	2 1/8	2 1/8	4 11/16	9 1/2	1 1/4
MSY-2521	2 1/2 x 2 1/8	2 1/2	9 9/32	1 1/4	2 1/2	2 1/8	2 1/8	4 7/8	10	1 1/4
MSY-2525	2 1/2	2 1/2	10 5/32	1 1/4	2 1/2	2 1/2	2 1/2	5 3/16	10	1 1/4
MSY-3021	3 x 2 1/8	3	9 17/32	1 1/4	3	2 1/8	2 1/8	5 1/8	10 1/2	1 1/4
MSY-3025	3 x 2 1/2	3	10 13/32	1 1/4	3	2 1/2	2 1/2	5 7/16	10 1/2	1 1/4
MSY-3030	3	3	11 19/32	1 1/4	3	3	3	5 29/32	11 1/2	1 1/4
MSY-3521	3 1/2 x 2 1/8	3 1/2	9 25/32	1 1/4	3 1/2	2 1/8	2 1/8	5 3/8	11	1 1/4
MSY-3525	3 1/2 x 2 1/2	3 1/2	10 21/32	1 1/4	3 1/2	2 1/2	2 1/2	5 11/16	11	1 1/4
MSY-3530	3 1/2 x 3	3 1/2	11 27/32	1 1/4	3 1/2	3	3	6 5/32	13	1 1/4
MSY-3535	3 1/2	3 1/2	12 31/32	1 1/4	3 1/2	3 1/2	3 1/2	6 9/16	13	1 1/4
MSY-4021	4 x 2 1/8	4	10 1/32	1 1/4	4	2 1/8	2 1/8	5 5/8	12	1 1/4
MSY-4025	4 x 2 1/2	4	10 29/32	1 1/4	4	2 1/2	2 1/2	5 15/16	12	1 1/4
MSY-4030	4 x 3	4	12 3/32	1 1/4	4	3	3	6 13/32	12	1 1/4
MSY-4035	4 x 3 1/2	4	13 7/32	1 1/4	4	3 1/2	3 1/2	6 13/16	14	1 1/4
MSY-4040	4	4	14 11/32	1 1/4	4	4	4	7 1/4	14	1 1/4
MSY-5021	5 x 2 1/8	5	10 17/32	1 1/2	5	2 1/8	2 1/8	6 1/8	13	1 1/4
MSY-5025	5 x 2 1/2	5	11 13/32	1 1/2	5	2 1/2	2 1/2	6 7/16	13	1 1/4

Part No.	Size	A - O.D.	C	D	E - I.D.	F - O.D.	G - I.D.	H	K	L
MSY-5030	5 x 3	5	12 19/32	1 1/2	5	3	3	6 29/32	15 1/2	1 1/4
MSY-5035	5 x 3 1/2	5	13 23/32	1 1/2	5	3 1/2	3 1/2	7 5/16	15 1/2	1 1/4
MSY-5040	5 x 4	5	14 27/32	1 1/2	5	4	4	7 3/4	15 1/2	1 1/4
MSY-5050	5	5	17 9/16	1 1/2	5	5	5	9	18 1/2	1 1/2
MSY-6021	6 x 2 1/8	6	11 1/32	1 1/2	6	2 1/8	2 1/8	6 5/8	15	1 1/4
MSY-6025	6 x 2 1/2	6	11 29/32	1 1/2	6	2 1/2	2 1/2	6 15/16	15	1 1/4
MSY-6030	6 x 3	6	13 3/32	1 1/2	6	3	3	7 13/32	15	1 1/4
MSY-6035	6 x 3 1/2	6	14 7/32	1 1/2	6	3 1/2	3 1/2	7 13/16	17	1 1/4
MSY-6040	6 x 4	6	15 11/32	1 1/2	6	4	4	8 1/4	17	1 1/4
MSY-6050	6 x 5	6	18 1/16	1 1/2	6	5	5	9 1/2	21	1 1/2
MSY-6060	6	6	20 25/32	1 1/2	6	6	6	10 25/32	21	1 1/2

Part No.	Size	A - O.D.	C	F - O.D.	G - I.D.	H	K	L
MSY-8021	8 x 2 1/8	8	12 1/32	2 1/8	2 1/8	7 5/8	18	1 1/4
MSY-8025	8 x 2 1/2	8	12 29/32	2 1/2	2 1/2	7 15/16	18	1 1/4
MSY-8030	8 x 3	8	14 3/32	3	3	8 13/32	18	1 1/4
MSY-8035	8 x 3 1/2	8	15 7/32	3 1/2	3 1/2	8 13/16	21	1 1/4
MSY-8040	8 x 4	8	16 11/32	4	4	9 1/4	21	1 1/4
MSY-8050	8 x 5	8	19 1/16	5	5	10 1/2	24	1 1/2
MSY-8060	8 x 6	8	21 25/32	6	6	11 25/32	24	1 1/2
MSY-8080	8	8	27	8	-----	14 5/32	29	-----
MSY-9021	10 x 2 1/8	10	13 1/32	2 1/8	2 1/8	8 5/8	21	1 1/4
MSY-9025	10 x 2 1/2	10	13 29/32	2 1/2	2 1/2	8 15/16	21	1 1/4
MSY-9030	10 x 3	10	15 3/32	3	3	9 13/32	21	1 1/4
MSY-9035	10 x 3 1/2	10	16 7/32	3 1/2	3 1/2	9 13/16	24	1 1/4
MSY-9040	10 x 4	10	17 11/32	4	4	10 1/4	24	1 1/4
MSY-9050	10 x 5	10	20 1/16	4	5	11 1/2	24	1 1/2
MSY-9060	10 x 6	10	22 3/4	6	6	12 25/32	28	1 1/2
MSY-9080	10 x 8	10	28	8	-----	15 5/32	32	-----
MSY-9090	10	10	34 11/16	10	-----	18 5/8	36	-----
MSY-9221	12 x 2 1/8	12	14 1/32	2 1/8	2 1/8	9 5/8	24	1 1/4
MSY-9225	12 x 2 1/2	12	14 29/32	2 1/2	2 1/2	9 31/32	24	1 1/4
MSY-9230	12 x 3	12	16 3/32	3	3	10 13/32	24	1 1/4
MSY-9235	12 x 3 1/2	12	17 7/32	3 1/2	3 1/2	10 13/16	27	1 1/4
MSY-9240	12 x 4	12	18 11/32	4	4	11 1/4	27	1 1/4
MSY-9250	12 x 5	12	21 1/16	5	5	12 1/2	27	1 1/2
MSY-9260	12 x 6	12	23 3/4	6	6	13 25/32	31	1 1/2
MSY-9280	12 x 8	12	29	8	-----	16 5/32	35	-----
MSY-9290	12 x 10	12	35 11/16	10	-----	19 5/8	39	-----
MSY-9292	12	12	40 3/4	12	-----	21 27/32	43	-----